

FM DIPOLE

BDP N – BDP 7/16"

This broad-band dipole is made of aluminum ANTICORODAL and is subsequently galvanized with ALODINE 1002 in order to resist weathering.

With its robust mechanical construction and insulators of Teflon (PTFE) it can be used with a power input of 1 kW with N connector and the 2 kW with 7 / 16 ".

All parties on ground, it is protected from electrostatic charges.

It has a good angle of radiation and is specifically recommended for use in omnidirectional array.

One further advantage is that it can be put apart which reduces the size during shipment and therefore costs.

TECHNICAL SPECIFICATIONS

Frequency range 87.5 - 108 MHz

Impedance 50 ohm

Connector N type (1 kW) - 7/16" type (2 kW)

Material Aluminium

SWR < 1:1.4

Mounting from 50 to 120 mm Ø (2 to 4.5 inch Ø)

Polarization vertical

Gain 2.15 dBi

Bolts, screws and washer Steel stainless

Insulators Teflon PTFE

Weight 4 kg (9 Lbs)

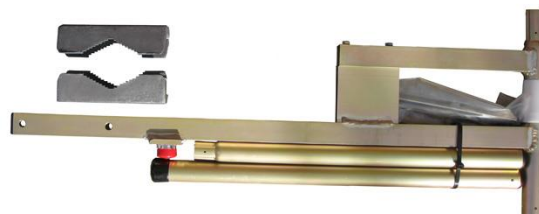
Dimensions 1400×850×60 mm (55×33×2 inch)

Packing 900×380×80 mm (35.4×14.9×3.1 inch)

Packing weight 5 kg

H plane 194 degrees

V plane 78 degrees



IOJXX di Donzello Rosanna

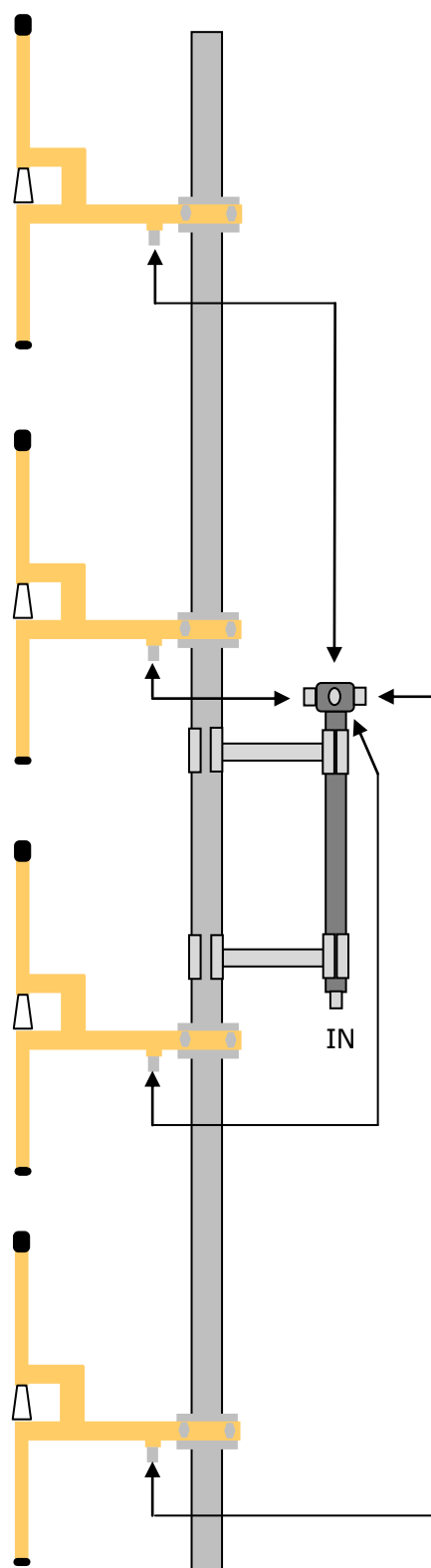
Via Fattoria di Torrenova 3 - 00133 Roma

☎ & Fax +39 06 27858223 📞 +39 3282899664

Partita Iva: 09527381009 – C.F. DNZRNN62M44L736F

CCIAA Rea RM 1201458

www.iojxx.com - info@iojxx.com



IØJXX di Donzello Rosanna

Via Fattoria di Torrenova 3 - 00133 Roma

☎ & Fax +39 06 27858223 📞 +39 3282899664

Partita Iva: 09527381009 – C.F. DNZRNN62M44L736F

CCIAA Rea RM 1201458

www.i0jxx.com - info@i0jxx.com